

4

3

2

1

THIS DRAWING IS UNPUBLISHED.

RELEASED FOR PUBLICATION

2011

© COPYRIGHT 2011

TE CONNECTIVITY

ALL RIGHTS RESERVED.

LOC
BDIST
-

REVISIONS

P	LTR	DESCRIPTION	DATE	DWN	APVD
	H	ECR-11-018847	13/09/11	JB	MG
	J	ECR-11-023742	22/11/11	JB	MG

SEE DETAIL A

SEE DETAIL B

40

41

42

43

DETAIL B
SCALE 15:1

0.6

0.03

0.03

0.5

0.25^{+0.03}_{-0.02}

12.9±0.1

12.45^{+0.15}₀

20

21

22

30

31

32

33

34

35

36

37

38

39

0.17⁰_{-0.06}

R0.125

R0.1

R0.125

0.5^{+0.08}_{-0.02}0.9^{+0.1}₀

1.5

30°+10°
-2°30°+10°
-2°

1

1

SCALE 30:1

SCALE 15:1

SCALE 3:1

NOTE

BOWING: AFTER UPPER TIE BAR REMOVAL-1.5mm MAX. FOR 500mm

PITCH: AFTER UPPER TIE BAR REMOVAL-2.54±0.127

INTERIOR RADS 0.1mm TYPICAL

SCALE 3:1

DIL RIGHT DIRECTION	DIL LEFT DIRECTION
DIRECTION OF TOP OF REEL	DIRECTION OF TOP OF REEL
DIRECTION "1"	DIRECTION "2"

THIS DRAWING IS A CONTROLLED DOCUMENT.

DIMENSIONS:

mm

MATERIAL SEE ABOVE

TOLERANCES UNLESS OTHERWISE SPECIFIED:

0 PLC	±-
1 PLC	±-
2 PLC	±0.05
3 PLC	±-
4 PLC	±-
ANGLES	±0.5
FINISH	-

DWN 19/08/11

J.BRIGHT

CHK 19/08/11

M.GREENER

APVD 19/08/11

D.PENNINGTON

PRODUCT SPEC

APPLICATION SPEC

WEIGHT

CUSTOMER DRAWING

510.1550.142.111

2	Ni & Sn	0-1544179-4
2	Sn	0-1544179-3
1	Ni & Sn	0-1544179-2
1	Sn	0-1544179-1
REELING	FINISH	PART NUMBER

TE Connectivity

NAME

DIL CONTACT

SIZE

A3

CAGE CODE

00779

DRAWING NO

C-1544179

RESTRICTED TO

-

SCALE NTS

SHEET 1 OF 1

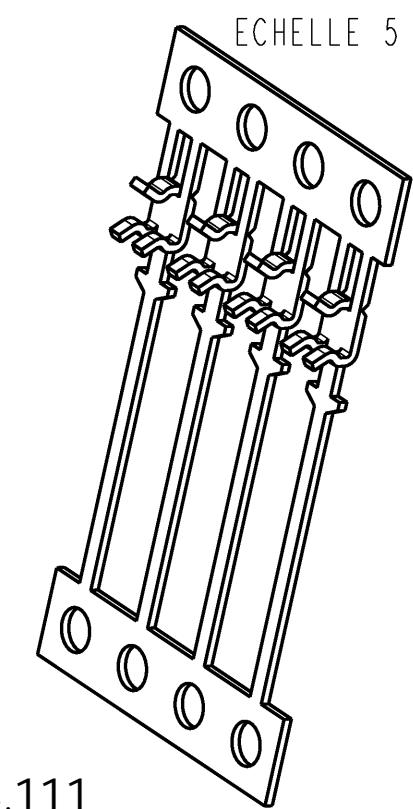
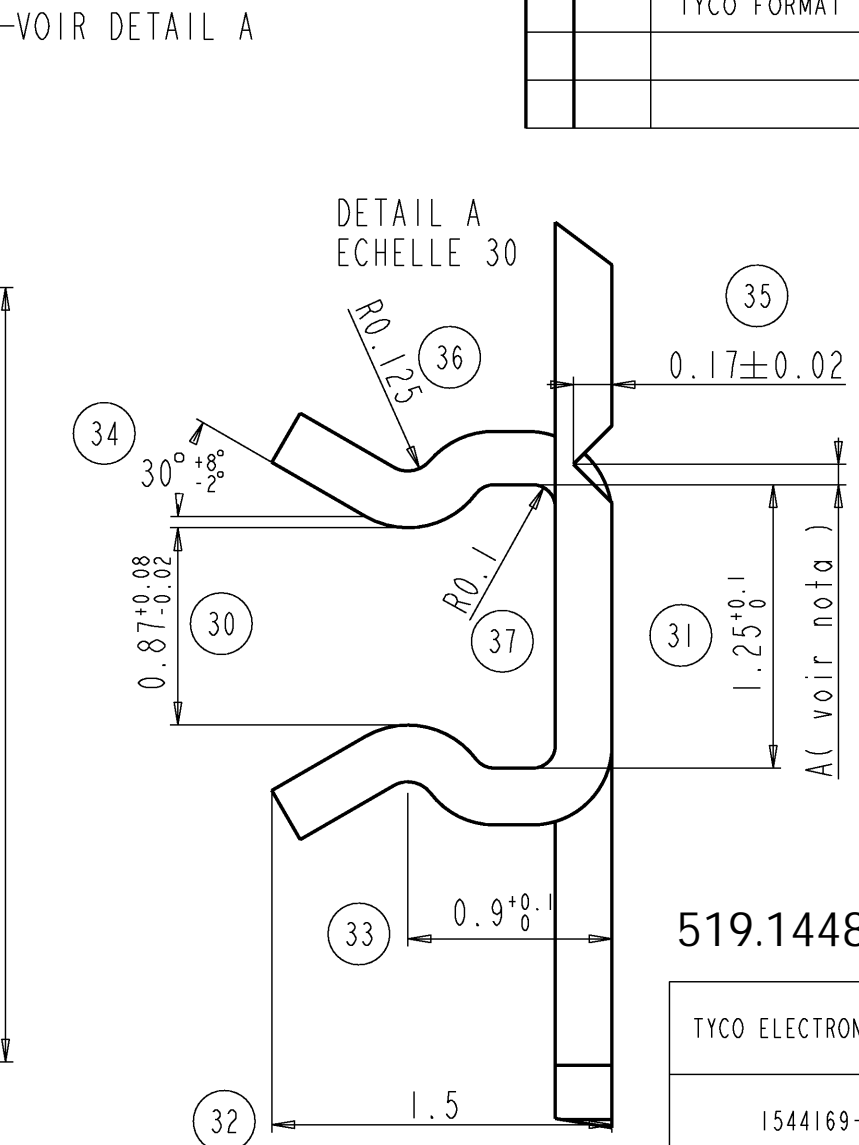
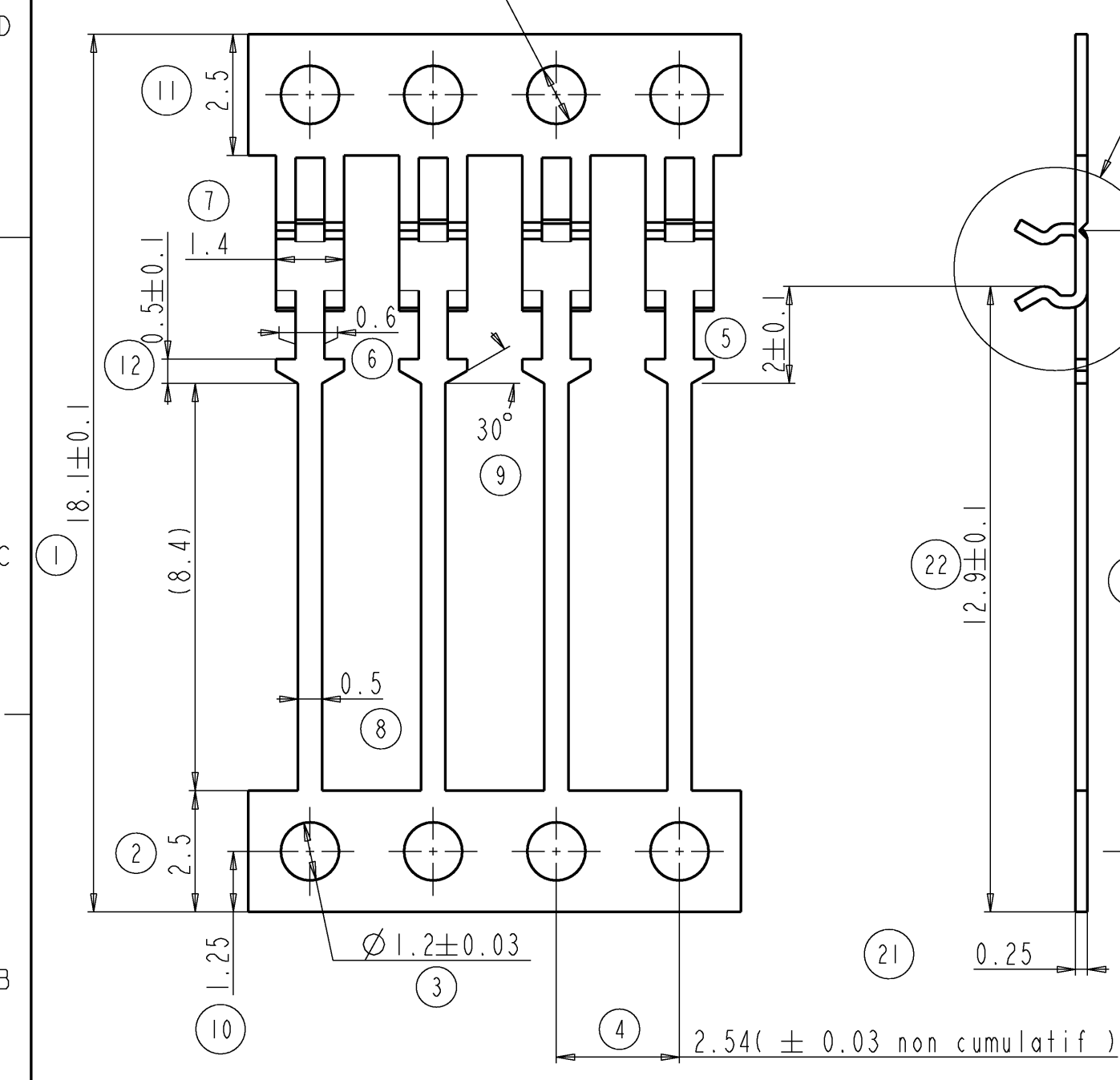
REV J

1470-19 (3/11)

Pro/ENGINEER DRAWING

THIS DRAWING IS UNPUBLISHED. RELEASED FOR PUBLICATION 2008
 © COPYRIGHT 2008 BY TYCO ELECTRONICS CORPORATION. ALL RIGHTS RESERVED.

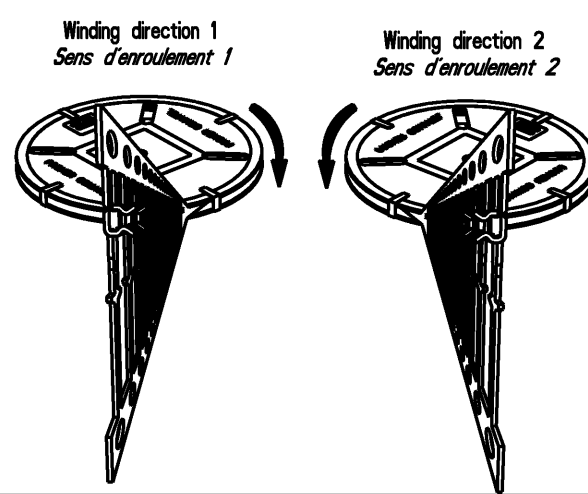
LOC	DIST	REVISIONS			
P	LTR	DESCRIPTION	DATE	DWN	APVD
F	00				
		F DRAFTING DETAIL UPDATE	02DEC2008	LCi	JDr
		TYCO FORMAT COMPLIANCE			



519.1448.144.111

TYCO ELECTRONICS PN	PLATING	WINDING DIRECTION
1544169-1	BEFORE STAMPING Sn : 112-16-4 (3 à 7µ)	1
1544169-2	AFTER STAMPING Ni : 112-25-3 (1.27 à 3µ) Sn : 112-65-1 (3 à 5 µ)	1
1544169-3	BEFORE STAMPING Sn : 112-16-4 (3 à 7µ)	2
1544169-4	AFTER STAMPING Ni : 112-25-3 (1.27 à 3µ) Sn : 112-65-1 (3 à 5 µ)	2

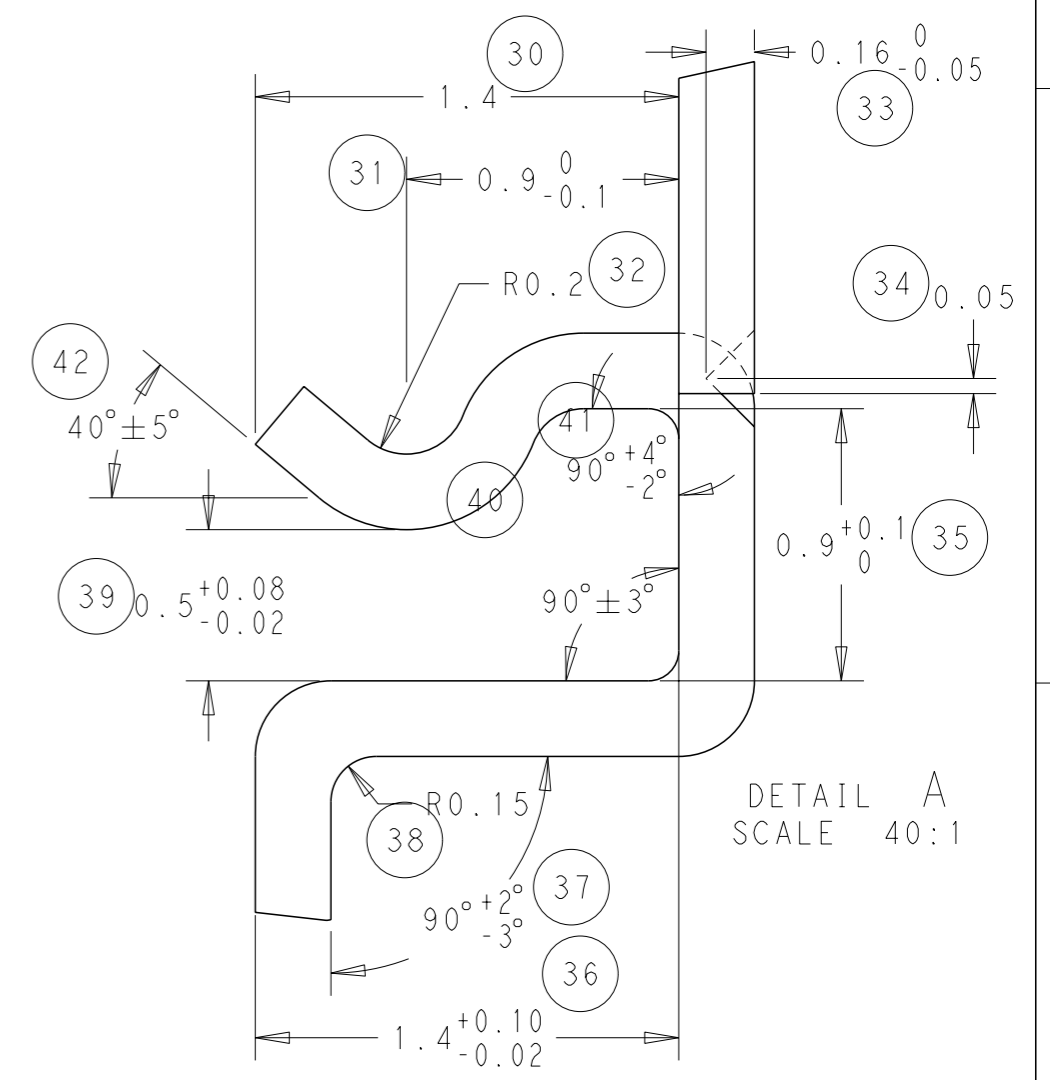
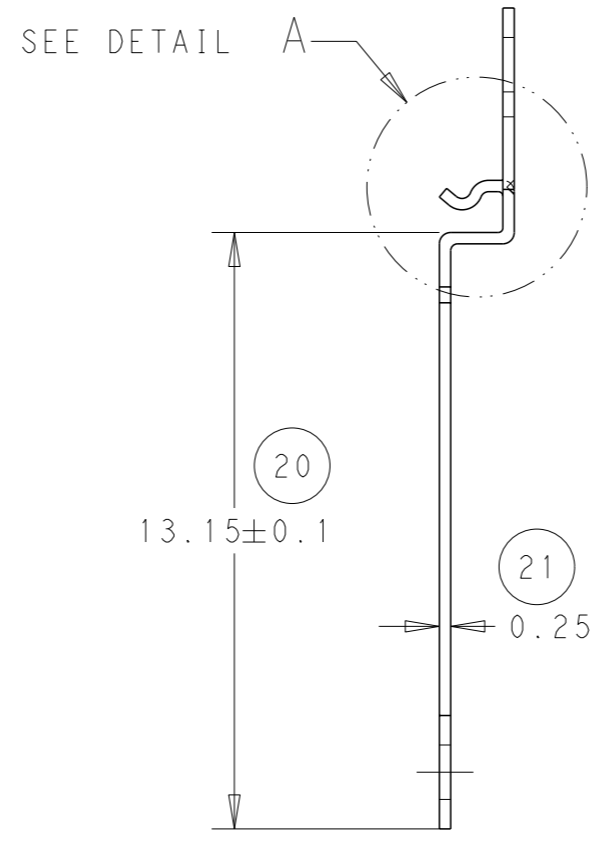
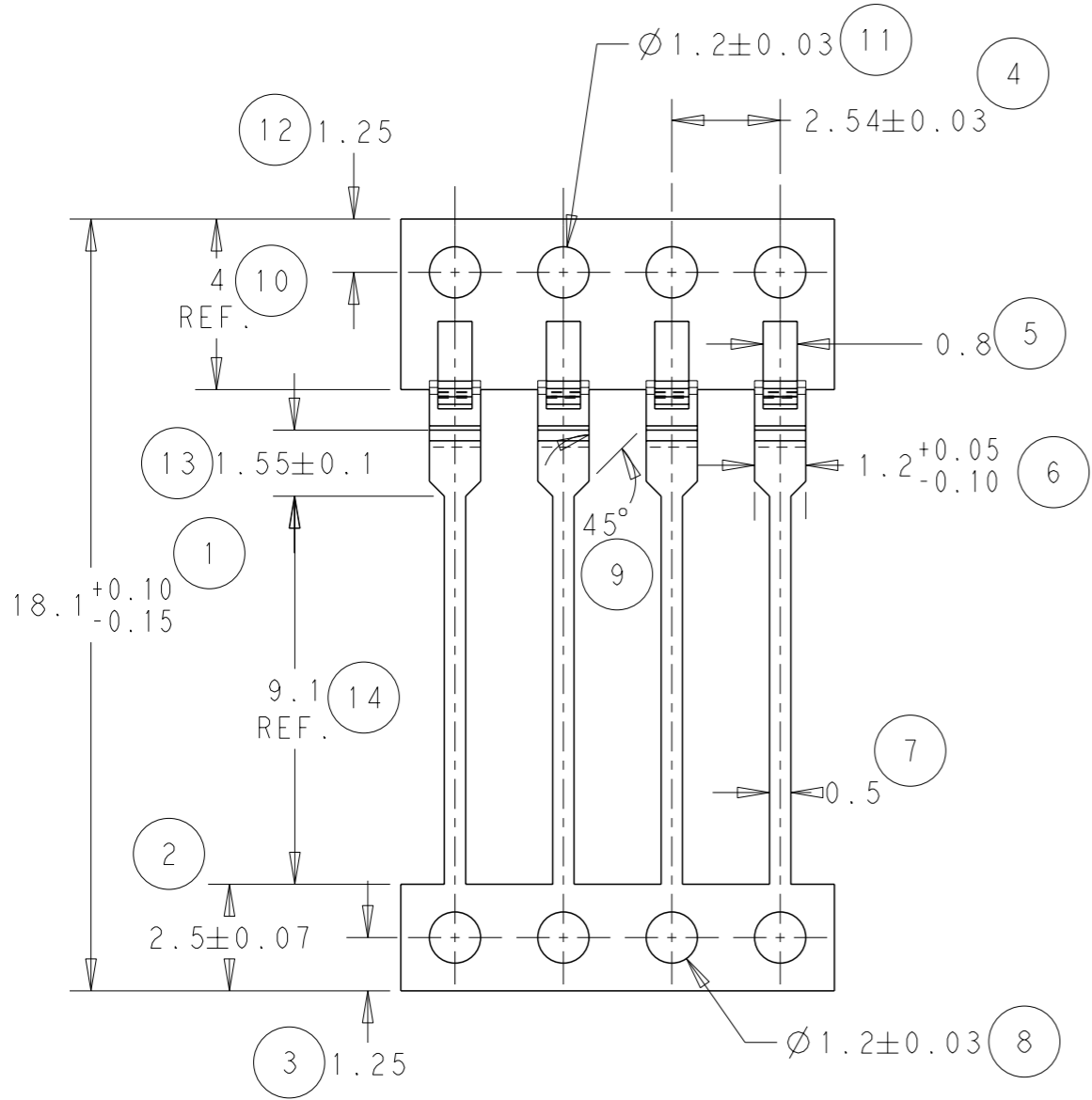
Nota : A, dans tous les cas, l'axe de l'amorce de casse doit être extérieur au fond de pince
 - Volume par contact : 5.32 mm³



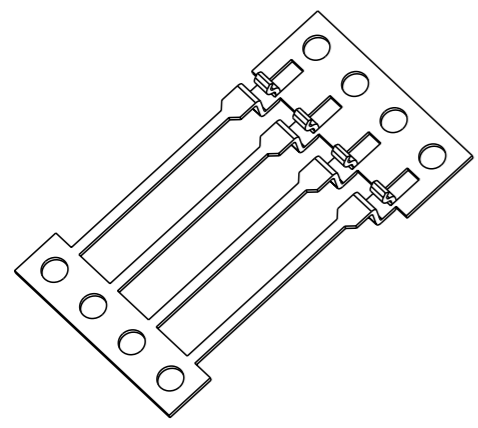
<small>THIS DRAWING IS A CONTROLLED DOCUMENT FOR TYCO ELECTRONICS CORPORATION IT IS SUBJECT TO CHANGE AND THE CONTROLLING ENGINEERING ORGANIZATION SHOULD BE CONTACTED FOR THE LATEST REVISION.</small>		DWN L. CORONELLI 02DEC2008 CHK P. FLORES 02DEC2008 APVD J. DAHER 02DEC2008		Tyco Electronics France SAS RN 90, 38530 Chapareillan																		
DIMENSIONS: mm 		TOLERANCES UNLESS OTHERWISE SPECIFIED: <table border="1"> <tr><td>PLC</td><td>±</td></tr> <tr><td>PVC</td><td>±</td></tr> <tr><td>PLC</td><td>±0.05</td></tr> <tr><td>PVC</td><td>±</td></tr> <tr><td>PLC</td><td>±</td></tr> <tr><td>PVC</td><td>±</td></tr> <tr><td>ANGLES</td><td>±3°</td></tr> <tr><td>FINISH</td><td>-</td></tr> </table>		PLC	±	PVC	±	PLC	±0.05	PVC	±	PLC	±	PVC	±	ANGLES	±3°	FINISH	-	NAME CONTACT A SOUDER DIL		RESTRICTED TO
PLC	±																					
PVC	±																					
PLC	±0.05																					
PVC	±																					
PLC	±																					
PVC	±																					
ANGLES	±3°																					
FINISH	-																					
MATERIAL CuSn6P		PRODUCT SPEC - APPLICATION SPEC - WEIGHT -		SIZE A3 CAGE CODE 00779 DRAWING NO C-1544169	REV F																	
CUSTOMER DRAWING				SCALE 4.000	SHEET 1 OF 1																	

THIS DRAWING IS UNPUBLISHED. RELEASED FOR PUBLICATION 2011
 © COPYRIGHT 2011 TE CONNECTIVITY ALL RIGHTS RESERVED.

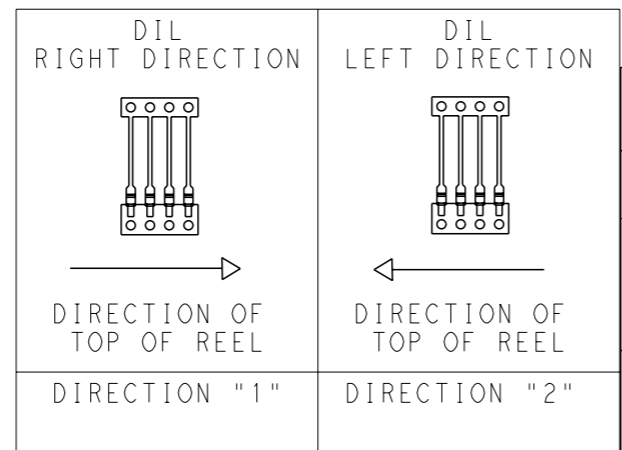
LOC	DIST	REVISIONS				
P	LTR	DESCRIPTION	DATE	DWN	APVD	
B	-	H	ECR-11-018847	13/09/11	JB	MG



NOTE
 BOWING: AFTER UPPER TIE BAR REMOVAL- 1.5mm MAX. FOR 500mm
 PITCH: AFTER UPPER TIE BAR REMOVAL- 2.54 ± 0.127



SCALE 3:1



519.1025.142.111

THIS DRAWING IS A CONTROLLED DOCUMENT.

DIMENSIONS:	TOLERANCES UNLESS OTHERWISE SPECIFIED:
mm	
	0 PLC ±-
	1 PLC ±-
	2 PLC ±0.05
	3 PLC ±-
	4 PLC ±-
	ANGLES ±0.5
MATERIAL	FINISH -
SEE ABOVE	

DWN	J. BRIGHT	12/09/11
CHK	M. GREENER	12/09/11
APVD	D. PENNINGTON	12/09/11
PRODUCT SPEC	-	
APPLICATION SPEC	-	
WEIGHT	-	
CUSTOMER DRAWING		

2	Ni & Sn	1544143-4
2	Sn	1544143-3
1	Ni & Sn	1544143-2
1	Sn	1544143-1
REELING	FINISH	PART NUMBER

TE Connectivity			
NAME			
DIL CONTACT			
-			
SIZE	CAGE CODE	DRAWING NO	RESTRICTED TO
A3	00779	C-1544143	-
SCALE		SHEET	REV
NTS		1 OF 1	H